



# BUFFET-WORLD

"Why not distinguish your buffet from the rest"



## LUCY DISPENSER

# AESTHETICS, CONVENIENCE AND ABSENCE OF WASTE

The innovate and patented dispenser is able to easily dispense jams, honeys, and spreads and is designed to aesthetically enhance the world of breakfast away from home.



ONE PRODUCT FOR BARS & HOTELS



25% REDUCTION BOTH IN TIME AND STAFF COSTS



BETTER ASSISTANCE AND ASSURANCE WITH TRACKING SYSTEM



**lucy** 2023  
DISPENSER  
SERIE 3



### DESIGN

Made-in-Italy quality  
Aesthetics  
Space saving  
Sustainability



### FUNCTIONALITY

Efficiency  
Easy-to-use  
Fast cleansing  
Simple replacement of refills  
Unrefrigerated storage of refills



### SAFETY

Maximum hygiene  
HACCP inspection  
International patent



### PERFORMANCE

No product waste  
Monitored food costs

# Apicoltura Casentinese

FARE DEL BUONO



# BUFFET-WORLD

*"Why not distinguish your buffet from the rest"*

# lucy

2023  
DISPENSER  
SERIE 3

## MODULAR AND COMPOSABLE SYSTEM

SHAPED BASE FOR A PERFECT INTERLOCKING



ALTERNATIVE DESIGN



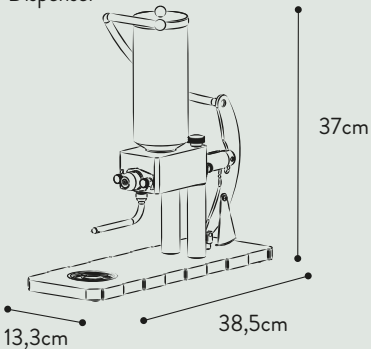
ALTERNATIVE DESIGN

## LUCY DISPENSER

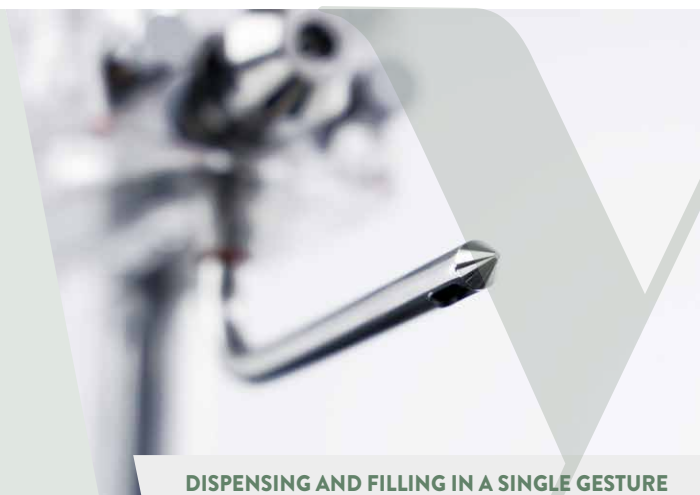
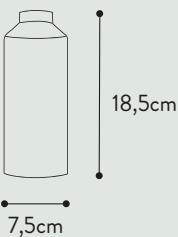


ARTICLE CODE	DESCRIPTION	PIECES FOR BOX	BOXES FOR PALLET	WEIGHT
AV03313	Dispenser transparent plexiglass base	1	58	3,5 kg
AV03315	Dispenser black plexiglass base	1	58	3,5 kg

Dispenser



Refill



DISPENSING AND FILLING IN A SINGLE GESTURE  
DOUBLE-USE DISPENSER

## Apicoltura Casentinese

FARE DEL BUONO



# BUFFET-WORLD

*"Why not distinguish your buffet from the rest"*

+27 83 2736778

www.buffet-world.com

info@buffet-world.com